

LakeAir ELECTRONIC AIR CLEANERS 7 YEAR LIMITED WARRANTY

The complete LakeAir Electronic Air Cleaner is warranted by RK Ventures Inc. to the original purchaser to be free from defects in material and workmanship under normal use and service for a period of one year from the date of purchase. In addition, RK Ventures, Inc. warrants the power supply module and transformer in the LakeAir Electronic Air Cleaner for an additional six (6) years, or a total of seven (7) years from the date of purchase to the original purchaser. LakeAir's liability is to be limited to repairing or replacing such products during the warranty period at its option, providing the product is sent prepaid to RK Ventures, Inc. or an Author-ized Service Center and is deemed to the satisfaction of RK Ventures, Inc., Inc. to be defective in any part or portion.

This warranty is in lieu of any other warranty expressed or implied and of all other obligations or liabilities in connection with the sale of the described LakeAir Electronic Air Cleaner. In no case will any claim for consequential damages or labor expenses be allowed. This warranty does not apply to a LakeAir Electronic or any part thereof which has not been operated in accordance with the operating instructions herein contained; where components or other accessories not compatible with the LakeAir Electronic Air Cleaner have been used or attached to it; which has been subject to accident, unauthorized alteration, abuse, damage by flood, fire or acts of nature.

User's Responsibility

Please Note: Your warranty is subject to user responsibility. Some items and some conditions resulting from causes other than manufacturing defects are the responsibility of the user of the LakeAir Electronic Air Cleaner and are not covered by the warranty. These are:

1. To operate and maintain according to instructions.
2. Periodic checking and cleaning of unit. Failure to clean will void warranty.
3. Proper use of controls must be maintained or warranty will be voided.
4. Damage to unit from unsatisfactory operation because of blowing fuses, inadequate electrical service or operation on power supply other than that indicated on the rating plate, or incorrect electrical protection devices used.
5. Damage occurring during transportation or resulting from improper handling.
6. Damage due to accident or resulting from alteration or tampering.
7. Misapplication of product.

lakeair[®]
Clean Air ~ Everywhere



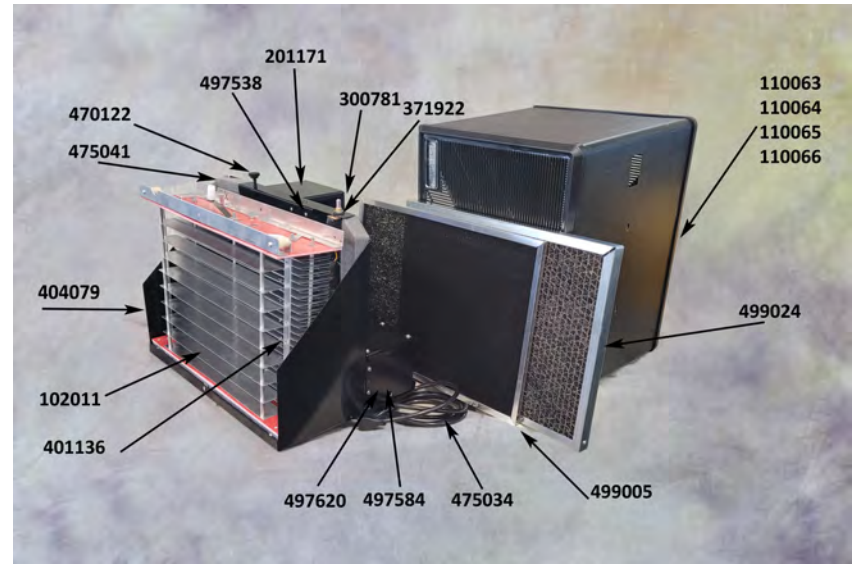
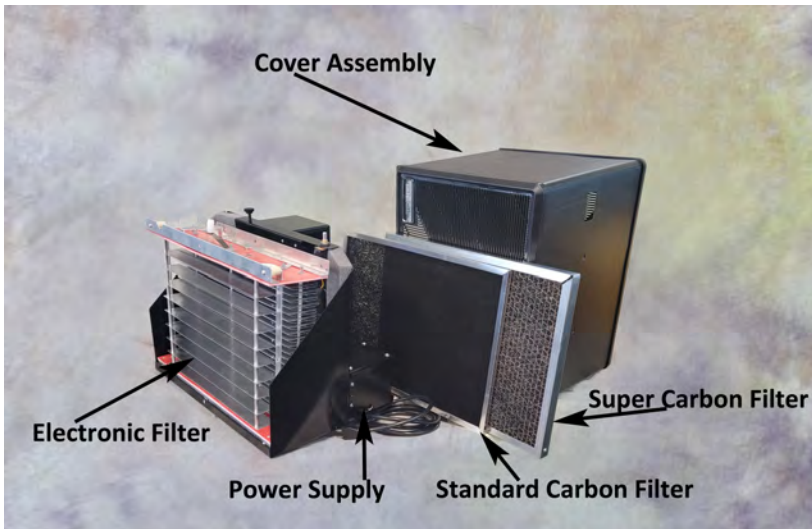
lakeair[®]
Clean Air ~ Everywhere

lakeair[®]
Clean Air ~ Everywhere

RK Ventures Inc.
1509 Rapids Drive
Racine, Wisconsin 53404

RK Ventures, Inc.
1509 Rapids Dr. Racine, WI
53404 www.lakeair.com
800-558-9436

DESCRIPTION OF PARTS



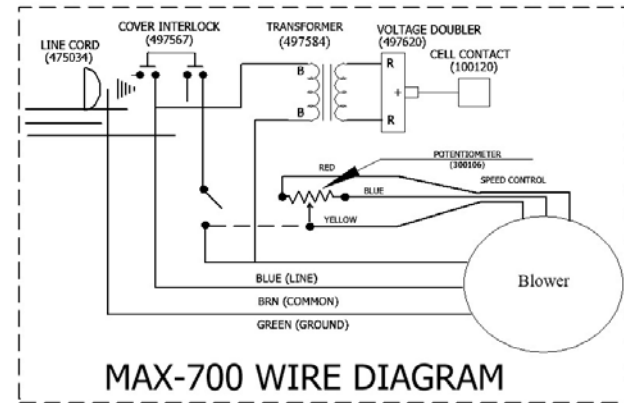
Cover Assembly: The vinyl covered metal cover assembly is secured to the chassis by means of two screw fasteners on top of the unit. The cover assembly includes the two grille sections.

Electronic Filter: This is the workhorse of the LakeAir Air Cleaner and performs the major function of the air cleaner by removing the particles from the air. The cell is activated by the power supply and is designed to remove even the smallest particles, down to 0.1 microns in size, or 1/25,400 of 1 inch.

Power Supply: The power supply houses the high voltage components. This part of the air purifier should only be opened by trained individuals. Up to 10,000 Volts at low amperage are present inside this enclosure.

Standard Carbon Filter: The standard carbon filter is one option available. This carbon filter is appropriate for areas with low to normal smell or VOC conditions

Super Carbon Filter: The Super Carbon filter is one option available. This carbon filter appropriate with areas with extra odors or VOC conditions. Smokers, pets, heavy kitchen odors are good examples when a super carbon may be needed.



- | | | | |
|--------|--------------------|--------|-------------------|
| 110063 | Cover Black | 401136 | Ion Wire Kit |
| 110064 | Cover Walnut | 102011 | Electronic Filter |
| 305219 | Cover Gray | 404079 | Chassis |
| 110065 | Cover White | 475041 | Foam Sealant |
| 499024 | Super Carbon | 470122 | Thumb Screw |
| 499005 | Standard Carbon | 497538 | Safety Switch |
| 475034 | Power Cord | 201171 | Motor Mount |
| 497584 | 10ma Transformer | 300781 | Blower |
| 497620 | Voltage Multiplier | 371922 | Potentiometer |

UNPACKING AND OPERATING INSTRUCTIONS

Remove the Air Purifier from the box. Lift the unit out carefully. It is advisable to save the packaging material as it is necessary for return of your product. Inspect the packaging and unit for and sign of damage. Take several photos if you see damage to carton or unit. These photos will help in any claim against the delivery company. Damage to the carton does not mean you unit has been damaged, but you should be suspicious.

Place your LakeAir Air Cleaner in a convenient area in the desired room. If you are using the air cleaner for a specific purpose, such as smoke removal, locate the air cleaner as close as possible to the source. (Such as near a smoking stand.) Care should be taken to allow at least 4-6" of unobstructed space behind the unit so that it will exhaust freely into the room. If, however, you position the unit so that the airflow is parallel to the nearest wall, you need not allow as much free space. For best results the unit should be elevated by placing it on a table or stand. It can also be mounted on a wall, using our convenient wall mount option.

Plug the line cord into a standard household outlet with 120V AC 60 Hz. Caution should be taken to use the unit only on the required voltage, as to do otherwise will void the warranty.

OPERATING AND MAINTENANCE INSTRUCTIONS

Position the unit and plug it into the proper line voltage before turning it on.

1. To turn unit on, turn the knob on top clockwise. When you hear the click, the unit is on. This unit's blower may take as long as 30 seconds to start. This is normal. The switch starts off in turbo and moves slower as you continue to turn the knob clockwise.. Do not attempt to turn the knob beyond its natural stopping point (around 9 on a clock dial.)

2. To shut the unit off, turn counter clockwise until the switch clicks.

NOTE: It should be noted that occasionally a large particle will pass through the electronic cell and an arcing will occur, resulting in an audible cracking sound. This is normal and will not cause any damage to the unit.

**Proudly Made
in the U.S.A.**

Maintenance

Your LakeAir Air Cleaner is a high quality, precision piece of equipment designed for long years of satisfactory performance. Adhere to a regular maintenance schedule and no problems should occur. This unit should be checked periodically for "dust load" and cleaned if found to have a large accumulation of dust and lint. Under regular conditions cleaning can be done once every 1 or 2 months. Under other more severe conditions more frequent cleaning may be required. **To obtain maximum efficiency from your LakeAir Electronic Air Cleaner it must be kept clean.**

In addition to the grilles and electronic cell, care should be taken to keep the rest of the unit clean as well.

Disassembly and Cleaning

1. Turn off unit and disconnect line cord from outlet.
2. Remove the thumb screws from cover assembly.
3. Loosen set screw from knob and then remove the knob. (2 mm Allen wrench is included)
4. Lift The cover off the unit base.
5. Remove ground screw from base of chassis connecting chassis to the electronic cell. Lift cell from chassis, being careful not to bend any of the plates on the electronic cell.
6. The electronic cell may be cleaned in a number of ways, but the best way is to soak it in a container of hot water into which has been dissolved a cup of dishwasher detergent or other cleaner that is safe for aluminum. After soaking for 10-15 minutes, agitate the filter (cell) in the solution to release some of the particles. Alkaline cleaners, such as our LA-99 heavy duty cleaning solution, may be used with care. Be certain to read and follow all directions carefully to avoid damage to the aluminum cell components caused by harsh chemical agents. LA-99 can be obtained through your dealer or by calling LakeAir directly.
7. It may be necessary, if the cell is extremely dirty, to repeat the soaking process or to take a small soft brush to the plates of the cell.

If this is done, care should be taken not to damage the plates or the fine ion wires between the widely spaced plates on the ionizer section of the cells. After soaking, rinse off all traces of the detergent with clean warm water and allow the excess to drain off. Before replacing the cell into the chassis, make sure the cell is completely dry.

7. The electronic cell may also be washed in the normal cycle of a household dishwasher, but caution should be taken to avoid damage to the closely spaced plates of the unit.

8. Do **not** wash the Activated carbon filter. This filter should be brushed or cleaned with a vacuum cleaner if any dust is present. This filter should also be replaced when there is an indication that it is no longer absorbing odors. Normal replacement is approximately every 4-6 months.

NOTE: TO INSURE PROPER OPERATION, FILTERS SHOULD BE CLEANED AT REGULAR INTERVALS. FAILURE TO CLEAN ELECTRONIC FILTER WILL VOID WARRANTY.

Reassembly

1. Place the dry electronic filter (cell) back on the chassis, making sure the wider spaced plates (ionizer section) face the outside of the unit. Also make sure the handle is at the top of the unit.
2. Insert the ground screw in the proper location and tighten.
3. Place the carbon afterfilter back into the unit.
4. Replace the cover assembly and secure with the fasteners.
5. Replace the knob and gently tighten the set screw.
6. Before plugging the unit in, make sure the power button is in the *Off* position. Plug in the line cord and turn the unit to the on position. If arcing occurs, turn the unit off until the electronic filter cell has been dried completely.

HOW A LakeAir UNIT WORKS

TROUBLESHOOTING YOUR LakeAir ELECTRONIC AIR CLEANER

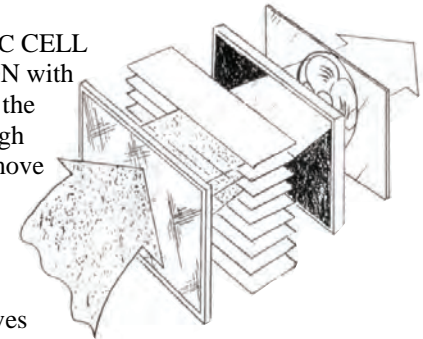
Some of the common causes for malfunction of your air cleaner are listed below. Review them should you have a problem, and perform the corrective measures listed here. If your LakeAir Electronic Air Cleaner is not restored to proper operation, contact your Dealer, nearest Authorized Service Center, or LakeAir.

Problem	Possible Cause	Possible Remedy
Air cleaner will not operate	Control switch is in <i>Off</i> Position	Depress power switch to <i>High</i> or <i>Low</i>
	Power cord not plugged in	Plug in power cord
	Blown fuse in household or breaker tripped.	Replace fuse or reset breaker
	Cover removed	Replace cover
	Cover fasteners not tight	Tighten fasteners snugly
Small volume of air discharged from unit	Extremely dirty electronic filter (cell)	Clean according to Instructions
	Plastic packing still on carbon after filter	Remove plastic wrap
Unit not effectively cleaning the air	Electronic filter dirty	Clean according to Instructions
	Electronic filter is not properly installed	Check reassemble instructions
Continuous "arcing" or snapping noise	Excessive accumulation of dirt on the electronic filter	Clean according to Instructions
	Electronic filter still damp	Allow filter cell to dry Completely
	Bent or damaged plate on electronic filter. (cell)	Check and straighten
	deposit on filter cell	see website for "how to fix an arcing electrostatic cell"
Odors more pronounced than usual	Service life of carbon after filter expired	Discard and replace the carbon after filter
	Air cleaner being used in a confined space	Open doors to the adjoining rooms

If any of the problems are not solved to your satisfaction, please contact your Dealer or LakeAir

In business establishments or in your home, millions of airborne particles are continually being circulated in the air you breathe. A LakeAir Electronic Air Cleaner removes these smoke, dust, dirt, and pollen particles with an electrostatic process that works this way:

1. The internal circulating fan draws the dirty air into the system where it first must pass through the outer grille.
2. The air then passes into the ELECTRONIC CELL where it encounters the IONIZING SECTION with its many fine ion wires. These wires charge the airborne particles by exciting them with a high electrical charge. As the charged particles move along to the collecting section, they are trapped by the collector plates much like a magnet attracts and collects metal filings.
3. The ACTIVATED CARBON AFTER FILTER, the final filter in the system, removes odors and freshens the air.
4. The cleaned and purified air is then returned to the room environment.



SPECIFICATIONS

Capacity	100-750 CFM
Unit Size	17" x 13" x 13"
Unit Weight	31 pounds
Power	120V, AC/60HZ. 1.95 amps
Sound Level	39-65 dB(A) @ 15'
Filtration	97% to 0.1 micron
Carbon	Super / Standard / NA
Mount	Table Top/ Wall Mount / Floor
Warranty	7-year Limited
Finish	black / white/ woodgrain / brushed aluminum

lakeair[®]
Clean Air ~ Everywhere