

LakeAir ELECTRONIC AIR CLEANERS 7 YEAR LIMITED WARRANTY

The LakeAir Maxum HEPA Air Purifier is warranted by RK Ventures Inc. to the original purchaser to be free from defects in material and workmanship under normal use and service for a period of seven years from the date of purchase. The blower of the LakeAir Maxum HEPA is warranted for (1) year from the date of purchase to the original purchaser. LakeAir's liability is to be limited to repairing or replacing such products during the warranty period at its option, providing the product is sent prepaid to RK Ventures, Inc. or an Author-ized Service Center and is deemed to the satisfaction of RK Ventures, Inc. to be defective in any part or portion.

This warranty is in lieu of any other warranty expressed or implied and of all other obligations or liabilities in connection with the sale of the described LakeAir Electronic Air Cleaner. In no case will any claim for consequential damages or labor expenses be allowed. This warranty does not apply to a LakeAir Electronic or any part thereof which has not been operated in accordance with the operating instructions herein contained; where components or other accessories not compatible with the LakeAir Electronic Air Cleaner have been used or attached to it; which has been subject to accident, unauthorized alteration, abuse, damage by flood, fire or acts of nature.

User's Responsibility

Please Note: Your warranty is subject to user responsibility. Some items and some conditions resulting from causes other than manufacturing defects are the responsibility of the user of the LakeAir Electronic Air Cleaner and are not covered by the warranty. These are:

1. To operate and maintain according to instructions.
2. Periodic checking and cleaning of unit. Failure to clean will void warranty.
3. Proper use of controls must be maintained or warranty will be voided.
4. Damage to unit from unsatisfactory operation because of blowing fuses, inadequate electrical service or operation on power supply other than that indicated on the rating plate, or incorrect electrical protection devices used.
5. Damage occurring during transportation or resulting from improper handling.
6. Damage due to accident or resulting from alteration or tampering.
7. Misapplication of product.

lakeair[®]
Clean Air ~ Everywhere

RK Ventures Inc.
1509 Rapids Drive
Racine, Wisconsin 53404

lakeair[®]
Clean Air ~ Everywhere

Portable electronic air cleaners

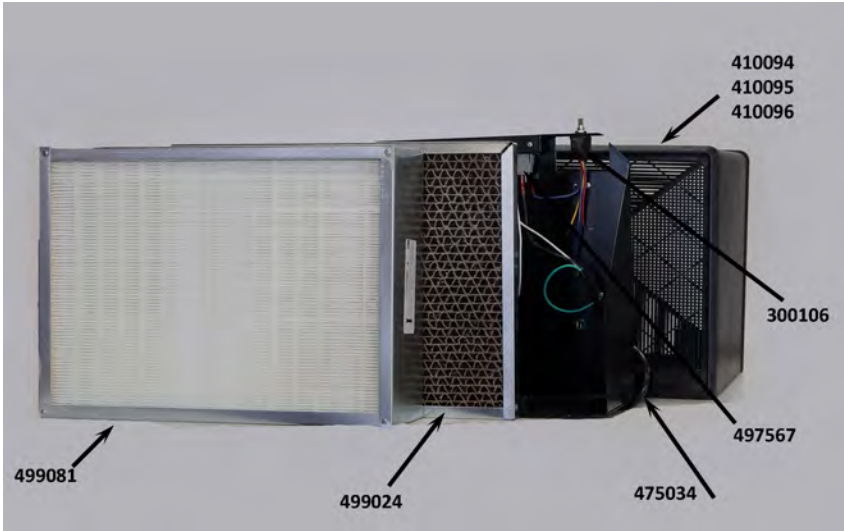
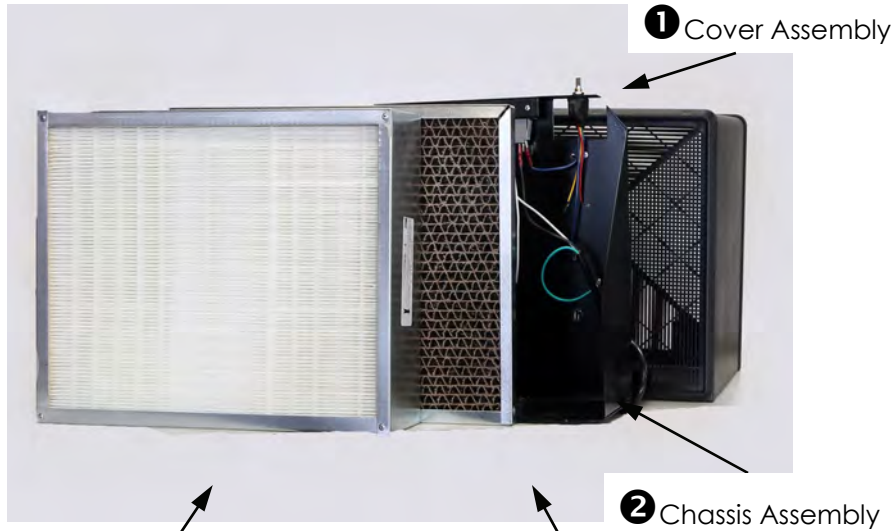
Operating and Service Manual Maxum HEPA 120 Volt



lakeair[®]
Clean Air ~ Everywhere

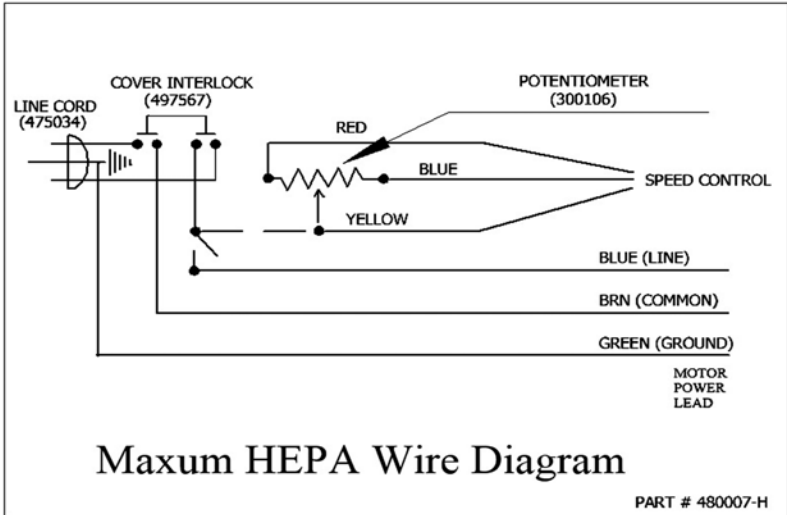
RK Ventures Inc.
1509 Rapids Drive
Racine, Wisconsin 53404

DESCRIPTION OF PARTS



- 4 Electronic Filter (Cell)
- 3 Carbon After Filter

1. COVER ASSEMBLY: The vinyl covered metal cover assembly is secured to the chassis by means of two screw fasteners on top of the unit. The cover assembly includes the two grille sections.
2. CHASSIS: The chassis consists of the base of the Maxum HEPA and has several components of the unit attached to it. The blower, variable speed control, and all internal wiring are found in the chassis.
3. Activated Carbon Filter: The carbon filter is standard in all Maxum units and is used as an after-filter to remove objectionable odors from the cleaned air.
4. Commercial True HEPA Filter: This is the workhorse of the LakeAir Air Cleaner and performs the major function of the air cleaner by removing the particles from the air. The HEPA filter is certified True HEPA and will remove 99.97% of Particles to 0.3 microns.



499081	HEPA Filter	300106	Potentiometer
499024	Carbon Filter	410994	Cover Black
475034	Power Cord	410095	Cover Wood Grain
497567	Safety Interlock	410096	Cover White

UNPACKING AND OPERATING INSTRUCTIONS

In order to operate your LakeAir Air Cleaner properly, Follow the step-by-step instructions and you will soon be enjoying clean fresh air.

1. Remove the two thumb screws from the top of the cabinet.
2. Remove the knob from top of variable speed control (pulls straight up)
3. Lift the cover assembly from the chassis and set aside.
4. Remove the packaging material from around unit.
5. Carefully replace the cover. Replace the knob to top of potentiometer (it is slotted and can only go on one way). Re-install the thumb screws to top of cabinet. NOTE: The fasteners must be in place and secured snugly or the unit will not operate.

Place your LakeAir Air Cleaner in a convenient area in the desired room. If you are using the air cleaner for a specific purpose, such as smoke removal, locate the air cleaner as close as possible to the source. (Such as near a smoking stand.) Care should be taken to allow at least 4-6" of unobstructed space behind the unit so that it will exhaust freely into the room. If, however, you position the unit so that the airflow is parallel to the nearest wall, you need not allow as much free space. For best results the unit should be elevated by placing it on a table or stand. It can also be mounted on a wall, using our convenient wall mount option.

Plug the line cord into a standard household outlet with 120V AC 60 Hz (230 models require 230 V AC 50 Hz). Caution should be taken to use the unit only on the required voltage, as to do otherwise will void the warranty.

OPERATING AND MAINTENANCE INSTRUCTIONS

To operate, position the air purifier into the location you have chosen. Plug the unit into an electrical out with the proper voltage

To turn unit on, locate the knob (dial) on top of the unit. Turn the knob clockwise. The unit starts off in turbo speed. As you rotate the knob clockwise the units blower speed will slow. To turn off :Turn counter clockwise until you hear a click. Note: blower normally takes 5-10 seconds to start rotating.

**Proudly Made
in the U.S.A.**

Maintenance

Your LakeAir Air Cleaner is a high quality, precision piece of equipment designed for long years of satisfactory performance. Adhere to a regular maintenance schedule and no problems should occur. This unit should be checked periodically for "dust load" and cleaned if found to have a large accumulation of dust and lint. Under regular conditions The HEPA filter should last 1 year and be replaced annually. The carbon filter should be changed every 3-6 months. When odors are no longer being removed, it is time to replace the carbon filter.

Disassembly and Cleaning

1. Turn off unit and disconnect line cord from outlet.
2. Remove fasteners from cover assembly.
3. Lift cover from chassis.
4. Remove the HEPA Filter, replace if necessary. Excess lint on the exterior can be brushed or vacuumed off.
5. Be careful to not damage the foam stripping attached to the HEPA filter. The stripping creates a full seal and enables the unit to remove all particle for the air stream.
6. Remove the Activated Carbon Filter. Replace if necessary. Note foam stripping on this filter and be careful not to damage it.
7. Clean excessive dust from chassis and motor assembly.

NOTE: TO INSURE PROPER OPERATION, FILTERS SHOULD BE CLEANED AT REGULAR INTERVALS. FAILURE TO CLEAN ELECTRONIC FILTER WILL VOID WARRANTY.

Reassembly

1. Place carbon filter next top "U" channel. with 1/4 inch foam to outside.
2. Place HEPA filter next to Carbon filter . Filters should fit snugly together. Exterior foam on HEPA filters should fill any gaps on sides of chassis.
3. Place Cover back on unit. Be sure to align thumb screw holes and variable speed control post.
4. Push speed dial onto variable speed control post. Note: this only fits 1 way.
5. Reinstall thumb screws. Be certain thumbs screw are fasten tightly or unit may not operate.

How a LakeAir Unit Works

TROUBLESHOOTING YOUR LakeAir ELECTRONIC AIR CLEANER

Some of the common causes for malfunction of your air cleaner are listed below. Review them should you have a problem, and perform the corrective measures listed here. If your LakeAir Electronic Air Cleaner is not restored to proper operation, contact your Dealer, nearest Authorized Service Center, or LakeAir.

Problem	Possible Cause	Possible Remedy
Air cleaner will not operate	Control switch is in <i>Off</i> Position	Turn dial clockwise
	Power cord not plugged in	Plug in power cord
	Blown fuse in household or breaker tripped.	Replace fuse or reset breaker
	Cover removed	Replace cover
	Cover fasteners not tight	Tighten fasteners snugly
Small volume of air discharged from unit	Extremely dirty filters	Replace according to Instructions
	Packing still in unit	Remove Packing
Unit not effectively cleaning the air	HEPA Filter Dirty	Replace according to Instructions
Odors more pronounced than usual	Service life of carbon after filter expired	Discard and replace the carbon after filter
	Air cleaner being used in a confined space	Open doors to the adjoining rooms

If any of the problems are not solved to your satisfaction, please contact your Dealer or LakeAir

In business establishments or in your home, millions of airborne particles are continually being circulated in the air you breathe. A LakeAir HEPA Air Purifier removes these viruses, bacteria smoke, dust, dirt, and pollen particles with a filtration process that works this way:

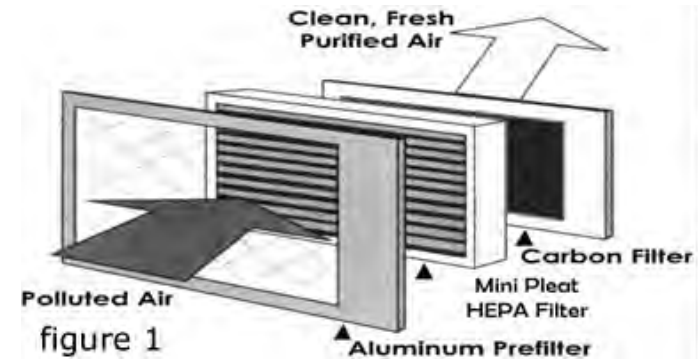


figure 1

SPECIFICATIONS

Capacity.....150-500 cfm
 HEPA Filter..... 4 inch mini pleat inches
 Unit size.....17 x 13 x 15"
 Shipping size.....18 x 15 x 15"
 Unit weight.....24 lbs.
 Shipping weight.....29-32 lbs.
 Power usage.....108 - 243 watts
 Sound level.....38- 56dB(A)
 Power.....120v, AC/60Hz/ 2 amps
 2 30v, AC/50Hz/1 amp (230v, AC/60Hz available)
 Efficiency 99.97% As small as 0.3 microns
 Variable speed control Low to Turbo
 Cabinet finishes.....walnut, black, white & brushed aluminum
 Warranty..... 7 Year Limited